

# LETOUR

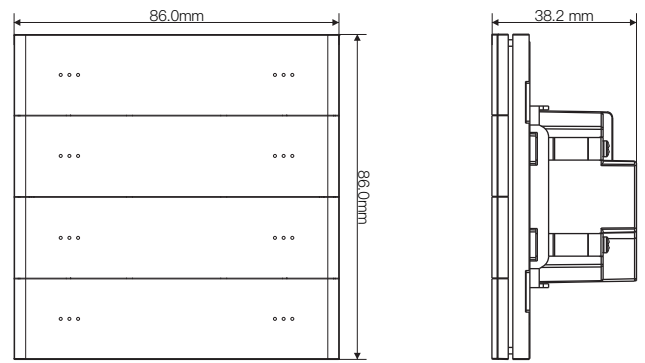
## T10 Push Button Datasheet

### Applicable model:

Push button 1-gang, built-in relay (LY/KK0110T10ST EN)  
 Push button 2-gang, built-in relay (LY/KK0210T10ST EN)  
 Push button 3-gang, built-in relay (LY/KK0310T10ST EN)  
 Push button 4-gang, built-in relay (LY/KK0410T10ST EN)

### KNX/EIB Home and Building Intelligent Control System

### Dimension



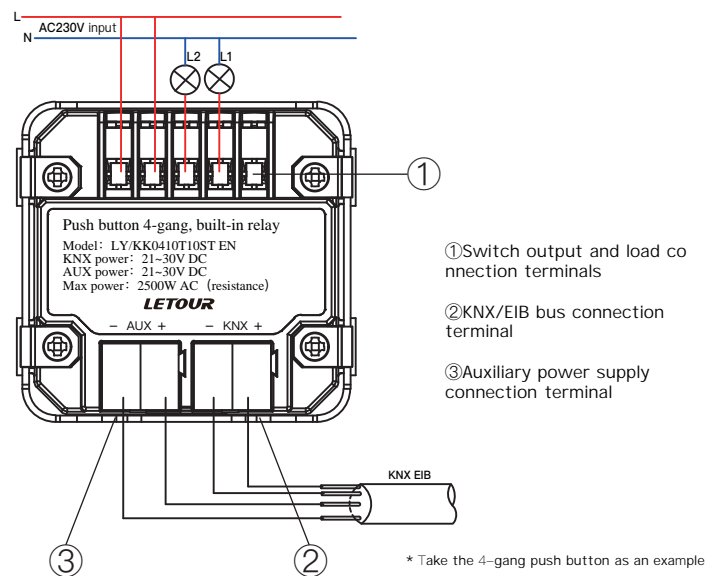
\* Take the 4-gang push button as an example

Model	Dimension	Weight
LY/KK0410T10ST EN	86×86×38.2mm	0.15kg

### Product Features

- 1-way/2-way/3-way/4-way imported 16A magnetic latching relay, super resistant to surge current
- Switching and dimming functions;
- Shutter function;
- Send value function;
- Call and memory scene function;
- Shift register function;
- Delay sending value (such as switch value, relative dimming value, byte sending value);
- LED indication function (orange, white status indication);
- 8-channel logic functions (AND operation, OR operation, NAND operation, NOR operation, XOR operation, threshold comparator, data type conversion);
- 8 groups of event functions (each group has 8 configurable outputs);
- Relay output (scene function, delay control function, stair light function);
- Easy installation, 60-type traditional electrician's bottom box installation.

### Wiring diagram



### Technical Parameter

Power	Bus voltage, EIB	21~30V DC, Obtained via EIB bus
	Quiescent Current, EIB	<12mA
	Static power consumption, EIB	<360mW
Auxiliary power	Auxiliary power supply	21~30V DC
	Current consumed through auxiliary power supply	<20mA (30V DC)
	Auxiliary power consumption	<0.6W
Connection	EIB/KNX	Bus connection terminal (red/black)
Operation and instructions	Programming buttons	Used for device programming physical address and diagnostic purposes
	Red indicator light	Instructs the device to enter programming mode
Protection class	Protection class	IP 20
Temperature setting range	Temperature range	16°C~30°C
Temperature display accuracy	Temperature display accuracy	±0.1°C
Humidity display range	Humidity display range	0-100%
	Operation	-5°C...+45°C
Temperature range	Storage	-25°C...+55°C
	Transportation	-25°C...+70°C
Environmental conditions	Maximum air humidity	<93%, no condensation
Design	Design	Flush mounted equipment
Installation	Installation	Standard 60mm mounting box

### Installation Notes

This device is suitable for installation in a conventional 60 square box. The depth of the junction box is at least 50mm. Where panels are available, 70mm is recommended, depending on the actual wiring connections. The installation must be carried out in such a way that the equipment is operated, tested, inspected, maintained and repaired correctly.

### Main tips

Installation and commissioning of the equipment may only be performed by qualified and skilled electricians. Relevant standards, directives, rules and instructions must be strictly followed during the planning and implementation of electrical installations.

- Devices need to be protected from moisture, dirt, and damage during transportation, storage, and use.
- Do not operate the device outside specified specifications (eg temperature range).
- The device can only be operated in a closed environment (eg junction box).

When the device is dirty, only use a dry cloth to clean it. If this is not enough to clean it, use a damp cloth with a little soapy solution and wipe it gently. Never use alkalis or corrosive solvents.