

Datasheet Oria Thermostats

EAE Oria KNX Thermostat Series

All you need is EAE



General Description

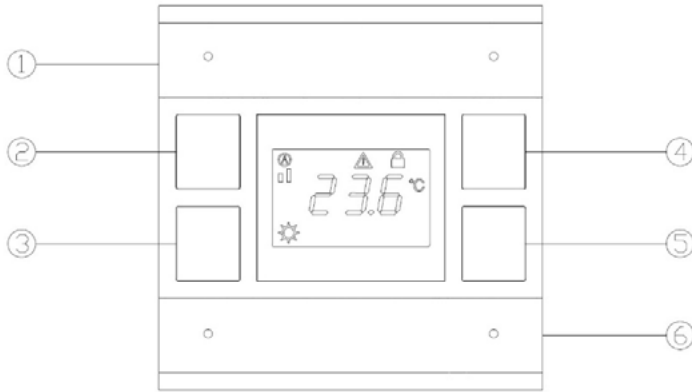


- Temperature Adjustment on Digital LCD
- Integrated Temperature Sensor (°C/ °F)
- Fan Speed Adjustment (1, 2, 3, Auto)
- Different Operation Modes (Comfort, Night, Away, OFF)
- Fully Automatic Function Mode (hot-cold transition)
- Control Flexibility for all HVAC units including VRF-VRV and AC
- PI rational, PI on-off (PWM), On/Off, Fan coil, Split unit controls
- Easy mount into 60x60 mm standard switch junction boxes
- 2 dependent or 4 independent programmable buttons
 - Switching
 - Dimming
 - Blind Control
 - Value transfer
 - Scene Control
 - Status LEDs

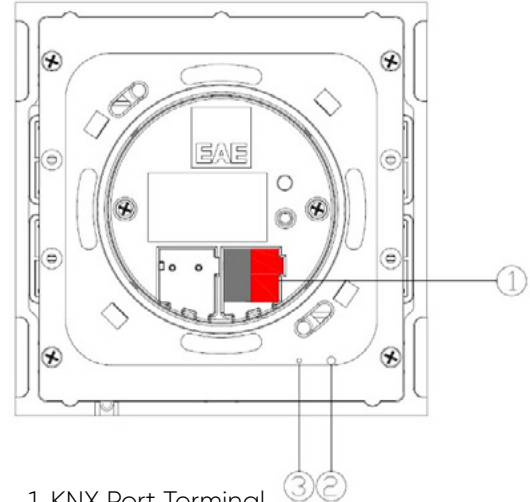
Technical Data

Operating Voltage	- Voltage	21V... 30V DC, via the KNX bus	
	- Current drawn from bus	<10mA	
Safety Rating		IP 20, DIN EN 60529	
Connections	- KNX	Bus Connection	
Operating Temperature	- Ambient	-5° C + 45° C	
	- Storage	-25° C + 55° C	
	- Measurement Accuracy	±0,3 °C	
Dimensions	Front Side	90 x 90 mm	
	Side- Surface mounted part	8.5 mm	
	Side- Flush mounted part	29.5 mm	
Box Material	Plastic, polycarbonate		
Color	Antrasit, Rose, Dull Gold, Titanium, Silver, Pearl White		
CE	In accordance with the EMC guideline and low voltage		
Application Program	# of Comm. Objects	Max. Group Addresses	Max. Matching
	50	254	255

Functional Elements and Connections



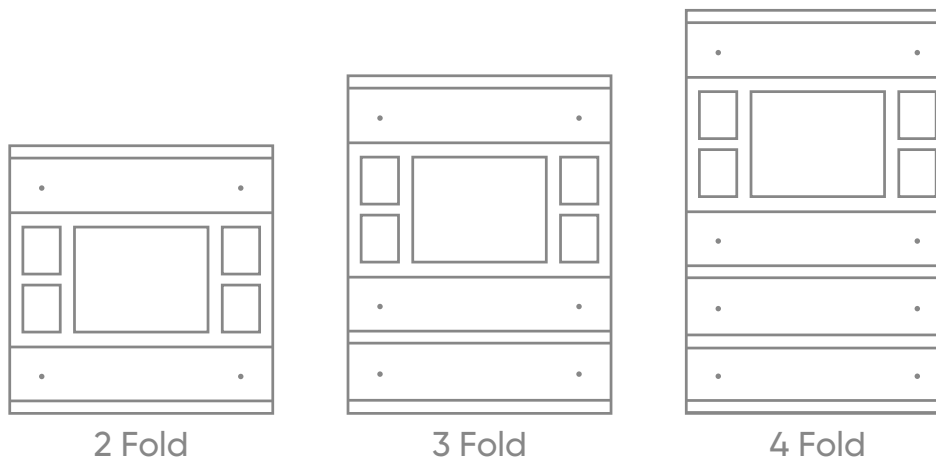
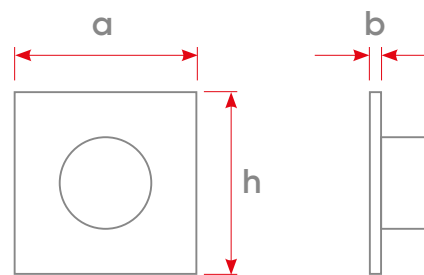
- 1. Programmable Button Group 1
- 2. Fan Speed (1, 2, 3, A)
- 3. Operation Mode (Comfort, Night, Away, OFF)
- 4. Setpoint Temperature UP
- 5. Setpoint Temperature DOWN
- 6. Programmable Button Group 2



- 1. KNX Port Terminal
- 2. Programming Button
- 3. Programming LED

Technical Drawings

Dimensions (mm)	a	b	h
2 Fold Thermostat	90	9	90
3 Fold Thermostat	90	9	111,5
4 Fold Thermostat	90	9	133



2 Fold

3 Fold

4 Fold