

# LETOUR

## AI 10.1" Smart Touch(L version) Datasheet

Applicable Model:  
LY/P1002211F

KNX International Standard Home and Building Control System

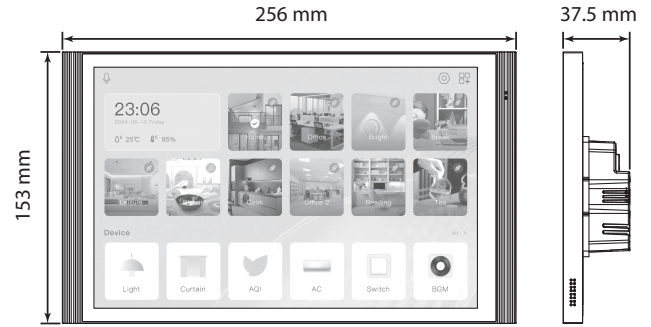
### Product Feature

- 10.1" true color MIPI screen, resolution 1280\*800, support capacitive touch;
- Support touch and beep prompt feedback, and the beep intensity can be customized
- Basic functions such as switch, dimming (two-color), curtains, scenes, and value sending;
- All-in-one temperature control for HVAC, discrete air conditioning, underfloor heating, fresh air, etc.
- RGB and RGBW dimming function
- Ambient air quality data monitoring;
- Monitoring and display of energy consumption data such as power consumption, current, and voltage;
- Timer function;
- 8 logical group functions;
- 8 event group functions (each group has 8 configurable output channels);
- Proximity sensing lights up the screen, and parameters can be configured to link other KNX bus devices;
- Temperature and humidity sensor parameter display and equipment linkage control, data display and status abnormality alarm;
- Voice function, which can link other KNX devices or local actuator channels through configuration parameters;
- Home page navigation function for quick UI interaction;
- Time and date display and configuration;
- It has functions such as password protection, screen saver and screen lock. Screen savers are independent of each other when turning off the screen, and different screen saver parameters can be selected;
- Theme and background selection configuration, you can customize and change pictures through SD card

### Technical Parameter

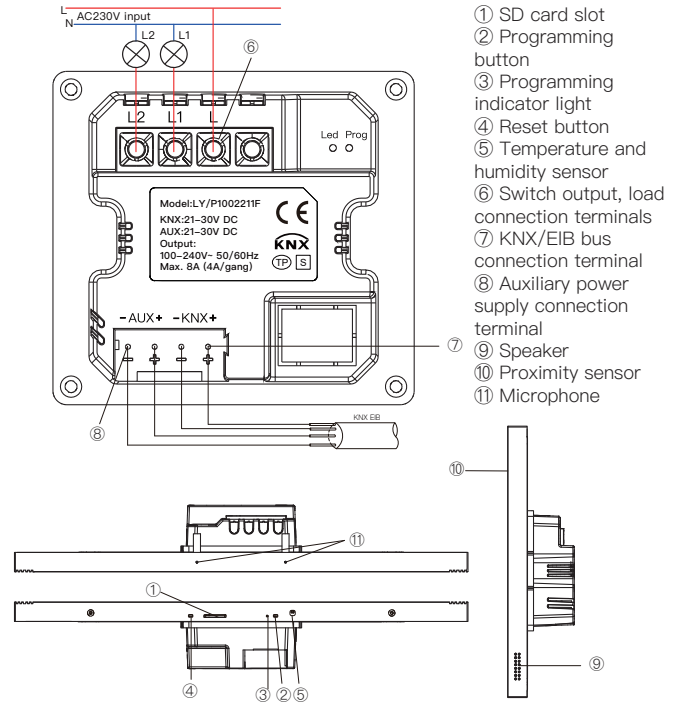
Power Supply	EIB/KNX voltage	21-30V DC
	EIB/KNX current consumption	≤6mA (30V DC)
	EIB/KNX power consumption	≤180mW
Auxiliary Power	Voltage	21-30V DC
	Power consumption	<4W
Output of the Relay	Number of channel	2 channels
	Rated voltage	230V AC (50/60Hz)
	Rated current	8A(4A/channel)
	Maximum total power	1800W
Connection	EIB/KNX	Bus terminal(red/black)
	Auxiliary power supply	Bus terminal(Yellow/white)
Operation & Indicator	Programming buttons	Device programming physical address and diagnostics
	Indicator Lights	Red light enters the device to enter programming mode
Temperature Range	Operation	-5°C...+45°C
	Storage	-25°C...+55°C
	Transportation	-25°C...+70°C
Environmental Condition	Humidity	<93%, except condensation
Installation	Installation	Standard 86 wall box

### Dimension



Model	Dimension	Weight
LY/P1002211F	256 x 153 x 37.5mm	1.1kg

### Wiring Diagram



### Installation Notes

This device is suitable for installation in a traditional 86 square box. The depth of the junction box should be at least 50mm, and if there is a panel, 70mm is recommended, depending on the actual wiring connection. During installation, it is necessary to ensure that the equipment is operated, tested, inspected, maintained, and repaired correctly.

### Important Hint

Installation and commissioning of the equipment may only be performed by qualified and skilled electricians. Relevant standards, directives, rules and instructions must be strictly followed during the planning and implementation of electrical installations.

- Devices need to be protected from moisture, dirt, and damage during transportation, storage, and use.
- Do not operate the device outside specified specifications (eg temperature range).
- The device can only be operated in a closed environment (eg junction box).

When the device is dirty, only use a dry cloth to clean it. If this is not enough to clean it, use a damp cloth with a little soapy solution and wipe it gently. Never use alkalis or corrosive solvents.