

## KNX 10.1 inch Multi-Function Touch Panel

Order num. : IMTP-1010.1



Focus on KNX product development and customization!

### Description

This product is an intelligent touch screen with standard KNX protocol. It is connected through KNX bus and can be used to control various KNX devices, including switch actuators, dimming actuators, curtain actuators, air conditioning control modules, air quality display, power display, etc. Its interactive interface is clear and concise, and users can set and display different these styles and backgrounds according to their needs; users can also customize icons.

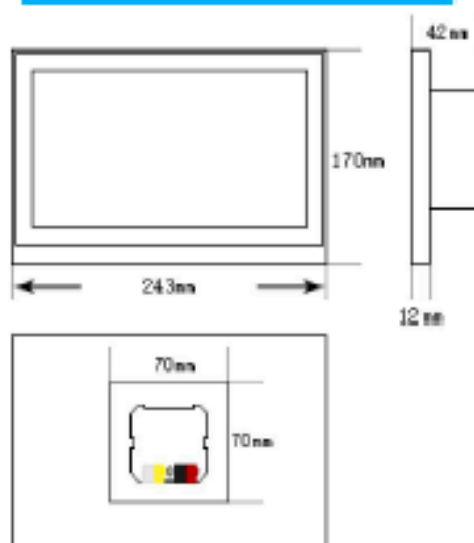
The product adopts the wall-mounted installation method. First, install and fix the iron sheet bracket to the 86 box. How to fix the screen by locking the screen at the bottom of the iron sheet.

EIB/KNX bus power supply needed, also needs a 12-30V DC auxiliary power supply.

### Function

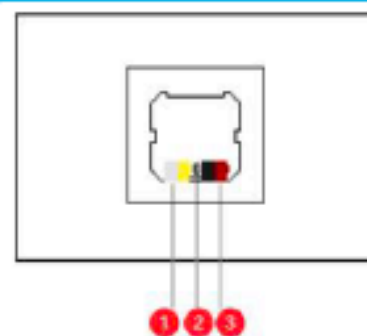
- ❖ IPS display, resolution 1280\*800 touch screen
- ❖ Multi-style homepage and slid page
- ❖ Time display and setting
- ❖ Temperature display
- ❖ With password lock screen function
- ❖ switch, curtain, dimming and scene value sending function.
- ❖ HVAC function
- ❖ VRV function
- ❖ Fresh air system function
- ❖ Floor heating system function
- ❖ Background music
- ❖ RGB strip color control
- ❖ Air quality sensor display
- ❖ Energy value or user-defined data display
- ❖ 8 groups of timer settings
- ❖ Logic control, which can realize the AND or XOR control of different combinations of logic
- ❖ Up to 12 function pages can be configured

### Dimension drawing



Dimension	Weight
LWH: 243x170x42 mm	1.3kg

### Connection Diagram



- ① Auxiliary power supply
- ② Programming button, LED indicate.
- ③ KNX/EIB bus

### Technical Properties

Power supply	21...30 V DC
Current consumption	< 12 mA
Power consumption	Max. 360 mW
Auxiliary voltage	12-30v DC
Auxiliary power consumption	< 6W
Program key	Press the button through the hole in the back of the panel
Program led	When the programming button is pressed, the red indicator light is on, and the normal operation green light flashes.
Shell / color	Black
Operation	- 5℃ ... + 45℃
Storage	- 25℃ ... + 55℃
Transport	- 25℃ ... + 70℃
Humidity	<93%, except dewing

### Caution

The installation and commissioning of this device must be carried out by professional technical personnel, and the requirements, standards and instructions must be installed during the operation.

The device can not work outside the technical indicators, such as out of temperature ,out of humidity and overload and so on.