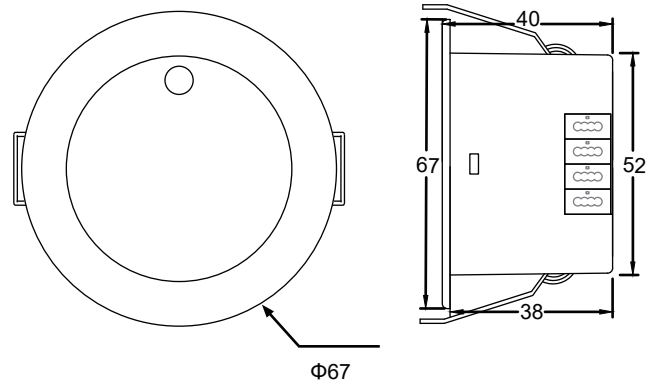


Microwave Sensors

Manual SNR0502

Dimension

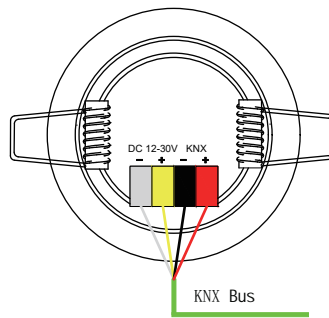


*unit: mm

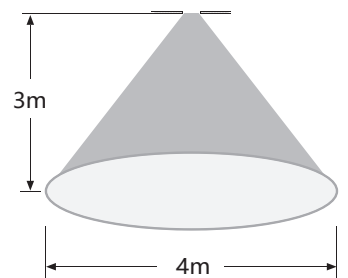
Function

- (1) Illumination Sensor Function;
- (2) Micromotion/Motion Detection Function;
- (3) Adjustable sensitivity of the motion detection function;
- (4) Networking with master-slave sensor control;
- (5) Illumination sensing with 3 types of output data (data output types) whose values can be sent cyclically ;
- (6) Motion monitoring with 3 types of output data, values can be sent cyclically ;
- (7) With on/off indicator function;
- (8) Threshold setting function;
- (9) Functions that prohibit illumination and movement;

Wiring



Sensing Adaptation Area

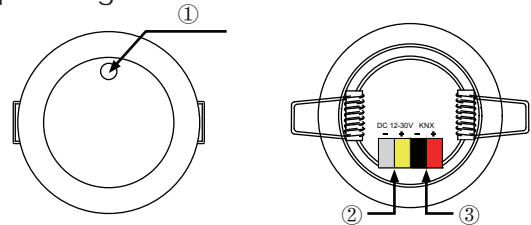


Sensing Schematic Description: Installation height H: range size 2.5m~3m, recommended value: 3m micro-motion detection distance W1: 1m~3m, the Motion detection distance W2: 1.5m~4m.

Technical parameters

Bus voltage	21-30 VDC, KNX bus power supply
Auxiliary voltage	24V
Bus current	< 12mA
Bus power	< 360mW
Auxiliary current	< 33mA
Auxiliary power	< 792mW
Transmit frequency	24-24.25GHz
Transmit power	15dBm (max)
Illumination	0-65535LUX
Opening diameter	$\Phi 53\text{mm} \leq d \leq 55\text{mm}$
Sensing distance	Motion sensing distance 1.5-4m, micro-motion detection distance 1-3m
Dimensions (H x D)	H=40mm D=67mm
Mounting method	Ceiling mounting
Enclosure Material	ABS
IP Rating	IP20
Weight	≈0.1kg
Operating Temperature	-5°C...+45°C
Storage temperature	-25°C...+55°C
Transport temperature	-25°C...+70°C

Operating Instructions



- ① Illumination sensor and programming all-in-one button: LED flashing green indicates that the radar has detected a person; LED red is always on, the device is in programming mode;
- ② Auxiliary power supply terminals;
- ③ KNX power supply terminal;

Installation Instructions

The device is installed in the embedded installation, its diameter D = 67mm, height H = 40mm, the recommended hole diameter of 53-55mm, in order to facilitate the rapid installation of the device, you must ensure that the equipment is operated, tested, inspected and maintained correctly. To facilitate quick installation, it is important

Mounting And Safety Instructions

- (1) Read all instructions in detail before use.
- (2) Establish a well ventilated environment.
- (3) During use, pay attention to moisture-proof, shock-proof and dust-proof.
- (4) It is strictly prohibited to get wet, contact with other liquids or corrosive gases.
- (5) If it is damp or attacked by liquid, it should be dried in time.
- (6) When the machine is faulty, please contact with professional maintenance personnel or our company.