

# LETOUR

## 4" Smart Touch Datasheet

Applicable Model:

4" AI Smart Touch (T10S) (LY/XP40062F22)

KNX international standard home and building control system

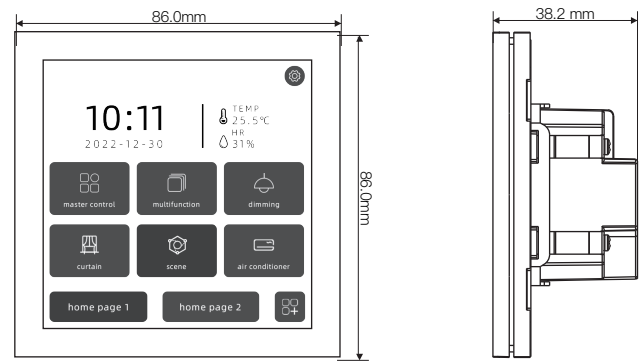
### Product feature

- 4" true color MIPI screen, resolution 480\*480, supports capacitive touch;
- Supports vibration and beep prompt feedback for touch or key presses, and the beep intensity can be customized and modified;
- Basic functions such as switch, dimming (two-color), curtains, scenes, and value sending;
- HVAC, discrete air conditioning, floor heating, fresh air and other all-in-one temperature control functions;
- RGB and RGBW dimming function;
- Ambient air quality data monitoring;
- Monitoring and display of energy consumption data such as power consumption, current, and voltage;
- Timer function;
- 8 logical group functions;
- 8 event group functions (each group has 8 configurable output channels);
- Proximity sensing lights up the screen, and parameters can be configured to link other KNX bus devices;
- Temperature and humidity sensor parameter display and equipment linkage control, data display and status abnormality alarm;
- Voice function, which can link other KNX devices or local actuator channels through configuration parameters;
- Home page navigation function for quick UI interaction;
- Time and date display and configuration;
- It has functions such as password protection, screen saver and screen lock. Screen savers are independent of each other when turning off the screen, and different screen saver parameters can be selected;
- Theme and background selection configuration, you can customize and change pictures through SD card

### Technical parameter

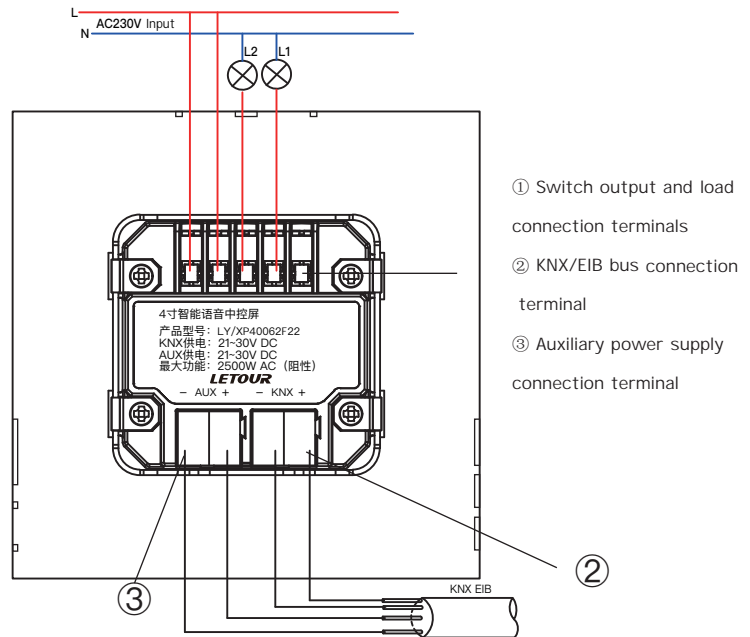
Power	EIB/KNX Voltage	21-30V DC
	EIB/KNX Current consumption	Max.12mA
	EIB/KNX Power consumption	Max.360mW
Auxiliary power supply	Voltage	12-30V DC
	Power consumption	<3.6W
Operation and Instructions	Red LED and buttons	Assign physical address
	Green LED flashes	/
Connection	EIB/KNX	Bus connection terminals (red/black)
	Auxiliary power supply	Bus connection terminals (yellow/white)
Installation	Standard 60 box wall mounting method	
Temperature range	Operation	-5°C...45°C
	Storage	-25°C...55°C
	Transporation	-25°C...70°C
Environmental conditions	Humidity	<80%, , except condensation
Dimension	86*175.2mm	
Weight	0.3KG(S4+)	

### Dimension



Model	Size
LY/XP40062F22	86 x 86 x 38.2 mm

### Wiring diagram



### Installation notes

This device is suitable for installation in a traditional 60 square box. The depth of the junction box should be at least 50mm, and if there is a panel, 70mm is recommended, depending on the actual wiring connection. During installation, it is necessary to ensure that the equipment is operated, tested, inspected, maintained, and repaired correctly.

### Important hint

Installation and commissioning of the equipment may only be performed by qualified and skilled electricians. Relevant standards, directives, rules and instructions must be strictly followed during the planning and implementation of electrical installations.

- Devices need to be protected from moisture, dirt, and damage during transportation, storage, and use.
- Do not operate the device outside specified specifications (eg temperature range).
- The device can only be operated in a closed environment (eg junction box).

When the device is dirty, only use a dry cloth to clean it. If this is not enough to clean it, use a damp cloth with a little soapy solution and wipe it gently. Never use alkalis or corrosive solvents.