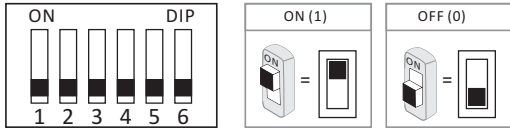


5. DIP Switches Settings

Total 6 bits in the DIP switches can be configured. The switches can be modified either before or after installation.



Bit-1, Bit-2 and Bit-3 are used for door station ID setting (1=on, 0=off).

000 - 100 - 010 - 110 - 001 - 101 - 011 - 111

000 - First door station
100 - Second door station
010 - Third door station
110 - Fourth door station

If there's extra camera connected with the system. The door station ID would be

000 - First door station
010 - Second door station
001 - Third door station
011 - Fourth door station

Bit-4 and Bit-5 is used for unlock time setting.

00 - 1 second (Default setting)

10 - 5 seconds

01 - 10 seconds

11 - 15 seconds

Bit-6 is used for connecting extra camera.

0 - No extra camera (Default setting)

1 - Connecting with extra camera

6. Electric Lock Connection

1. The unlock power output is 12v DC strike (max current=250mA).

2. Set the jumper SIP1 set to 1-2 for a normally closed lock (power OFF to open), or set SIP1 to 2-3 for a normally open lock (power ON to open).

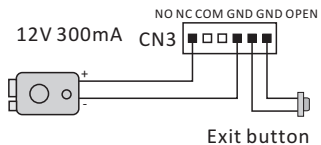
3. Adjust the timer setting with Bit-4 and Bit-5 at the outdoor station

(1=on, 0=off)

00-1sec, 01-5sec, 10-10sec, 11-15sec

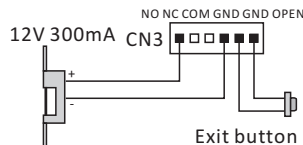
Power OFF to open

Jumper position in 2-3



Power ON to open

Jumper position in 1-2



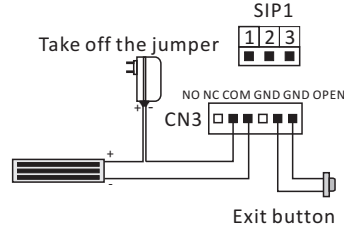
7. Electric Lock Connection

1. The external power supply must be used according to the lock.

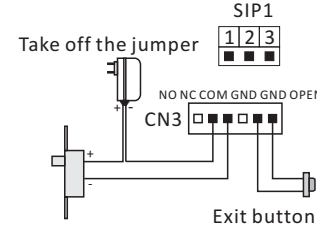
2. The jumper must be taken off before connecting.

3. If different unlocking time is needed, change the unlock time on door station by modifying the BIT-4 and BIT-5.

Power off to unlock type



Power ON to unlock type



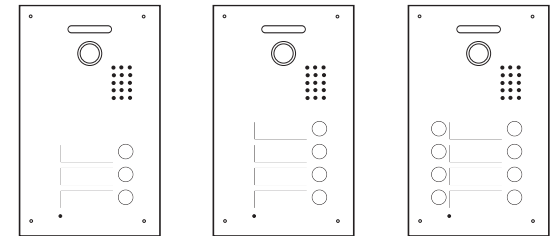
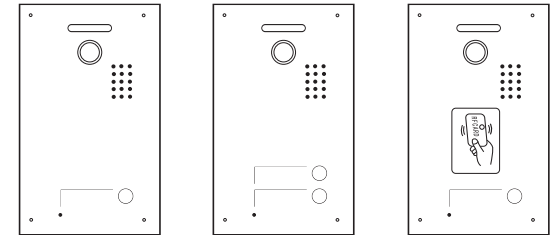
8. Specification

- Power supply: DC 24V
- Power Consumption: 1W in standby, 5W in working
- Unlock Power output: 12Vdc, 250mA
- Unlock timing: 1s, 5s, 10s, 15s
- Working Temperature: -20°C~ +55°C

Door Station

2-wire Door Station

Quick Installation Guide

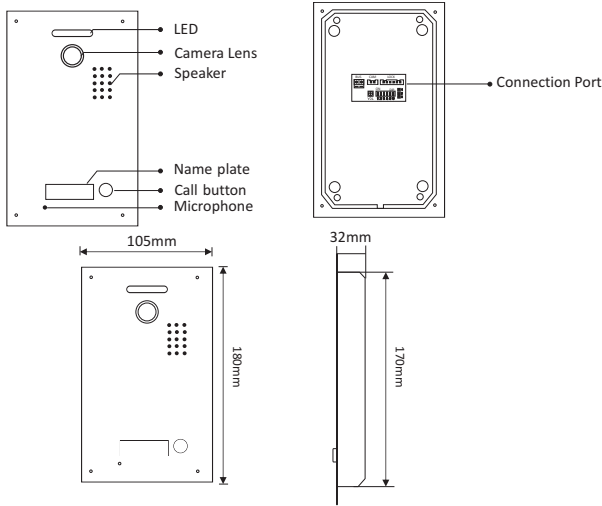


Dimension: 180×105×32mm

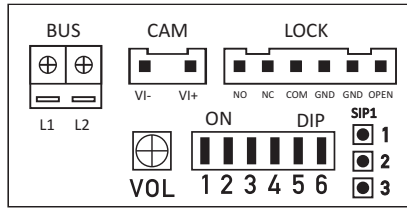
Embedded Dimension: 170×93×30mm

Please read this manual carefully before using the product .

1. Parts and Functions



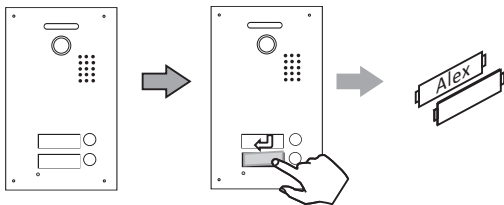
2. Terminal Description



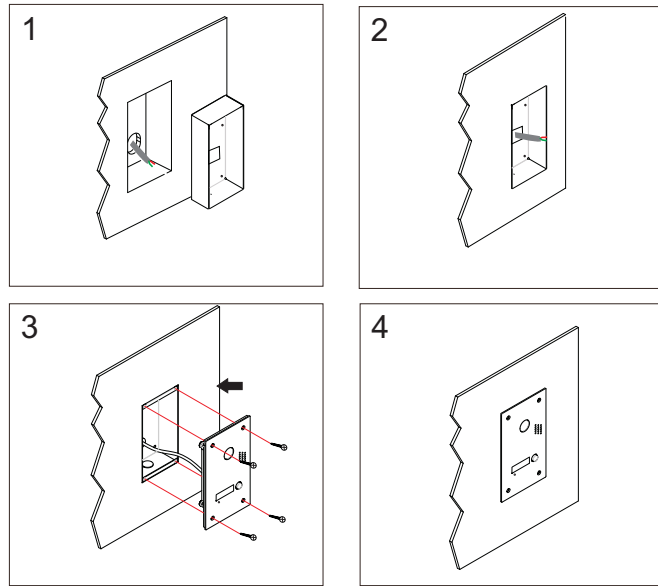
Connection Port

- **BUS:** (L1, L2) non-polarity bus line
- **CAM:** Extra camera connection port
- **LOCK:** Electronic lock connection port
- **VOL:** Volume adjustor
- **DIP:** DIP switches for system configurations.
- **SIP1:** Door lock jumper

Press down and move left to open the transparent nameplate cover. Then insert the name paper and put the cover back.

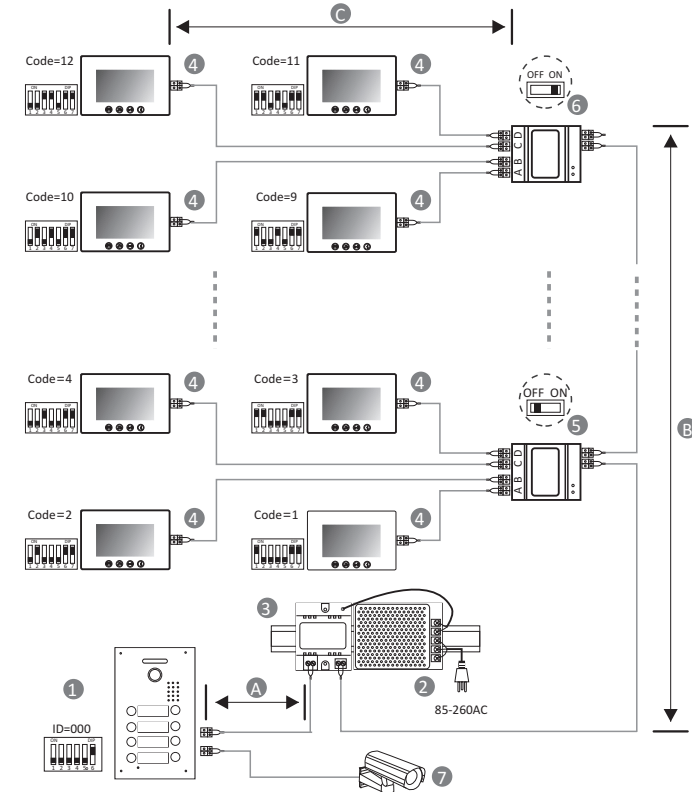
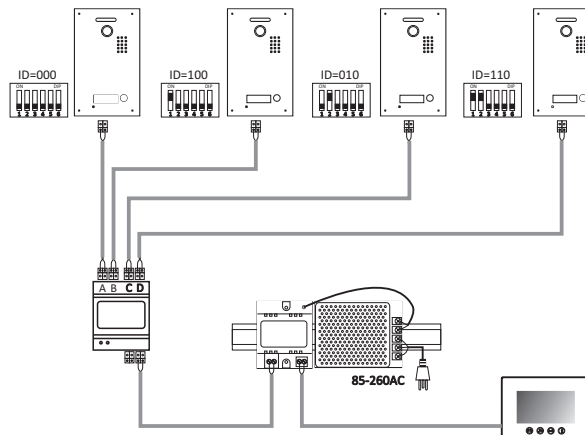


3. Mounting



4. System Connection

Multi door station



When monitor quantity < 20

Cable Usage	A	B	C
Parallel cable 2x0.75m ²	60	60	30
Parallel cable 2x1m ²	80	80	40

When monitor quantity > 20

Cable Usage	A	B	C
Parallel cable 2x1m ²	60	60	30
Parallel cable 2x1.5m ²	80	80	40

[1]: Door station, when there is only one Door station, the DIP bit-1, bit-2 and bit-3 should be set to **000**.

[2]: Power supply, MUST be installed side by side with Power Separator.

[3]: Power Separator, MUST be installed side by side with Power supply.

[4]: Monitor, each one with an unique User Code, note that all the bit-6 of the DIP should be set to **1(ON)** in this case.

[5]: Video distributor set switch to **OFF** unless at the end of the line.

[6]: Video distributor set switch to **ON** at the end of the line.

[7]: Extra camera.