

## General Features



- Serial switches with plastic push-button
- Can be configured with ETS3 / ETS4 / ETS5.
- Independent button configuration for each fold
- Different color options
- Option to extend up to 6 Folds
- Easy mount into 60x60 mm standard switch junction boxes
- Dependent or independent programmable buttons
  - Switching
  - Dimming
  - Blind Control
  - Value transfer
  - Scene Control
  - Status LEDs

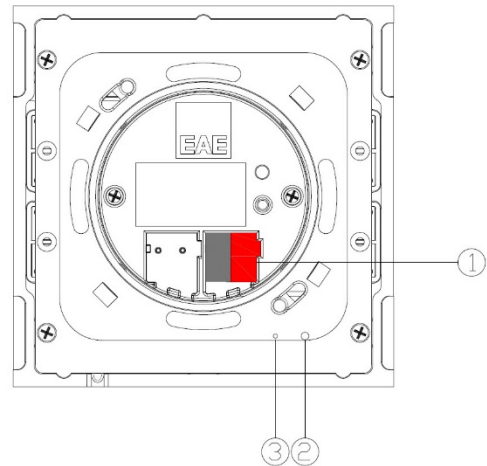
## Technical Data

<b>Operating Voltage</b>	- Voltage	21V... 30V DC, via the KNX bus
	- Current drawn from bus	<10mA
<b>Safety Rating Class</b>		IP 20, DIN EN 60529
		II EN 61140
<b>Connections</b>	- KNX	Bus Connection
<b>Operating Temperature</b>	- Ambient	-5° C + 45° C
	- Storage	-25° C + 55° C
	- Measurement Accuracy	±0,3 °C
<b>Humidity</b>	- Max. Air humidity condensation	95% no moisture
<b>Dimensions</b>	Front Side	90 x 90 mm
	Side- Surface mounted part	8.5 mm
	Side- Flush mounted part	29.5 mm
<b>Weight</b>		73 g
<b>Box Material</b>		Plastic, polycarbonate
<b>CE</b>		In accordance with the EMC guideline and low voltage

## Functional Elements and Connections



1. Button groups (1-4 fold) (extendable to 6 folds)



1. KNX Port Terminal  
2. Programming Button  
3. Programming LED

## Technical Drawings

